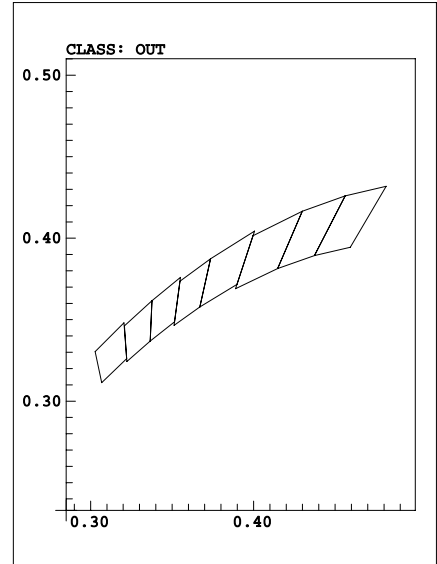
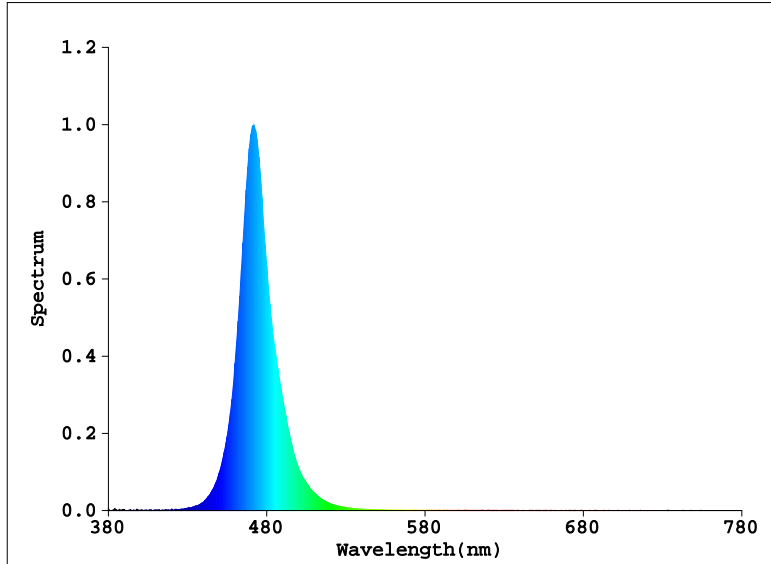


**Spectrum Test Report**



**Color Parameters:**

Chromaticity Coordinate:  $x=0.1183$   $y=0.0986$   $u'=0.1199$   $v'=0.2248$   $duv=1.310e-001$   
 Tc=100000K Dominant WL:Ld=475.2nm Purity=95.8%  
 Ratio:R=0.3% G=21.8% B=77.9% Peak WL:Lp=471.5nm HWL:20.7nm  
 Render Index:Ra=-44.5 CRI=-79.0  
 R1 =-18 R2 =-38 R3 =-115 R4 =-72 R5 =2 R6 =-49 R7 =-36  
 R8 =-29 R9 =-287 R10=-217 R11=-100 R12=-88 R13=-37 R14=-22 R15=-4

**Photo Parameters:**

Flux = 47.90 lm Eff. : 45.17 lm/W Fe = 710.1 mW

**Electrical parameters:**

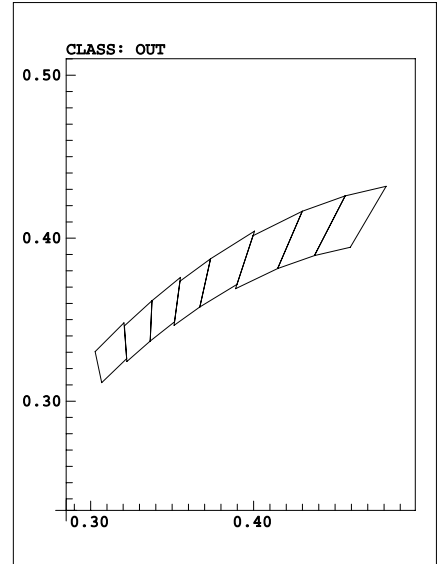
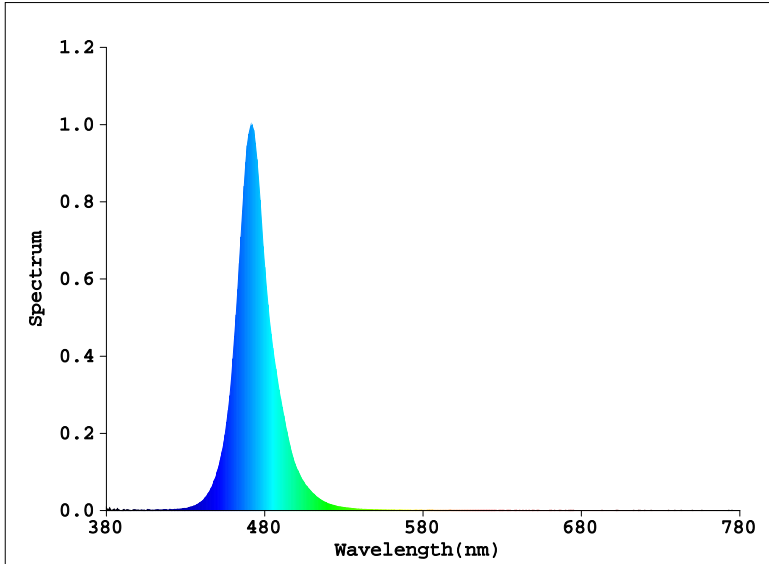
VF = 3.030 V IF = 349.9 mA P = 1061 mW  
 IR = 0 uA (VR = 5.003 V)  
 LEVEL:OUT WHITE:OUT

Status: T=20.00ms Ip=11932 (18%) [ HAAS2000\_V1\_USB ] V2.00.231

Model:475NM  
 Tester:Angel  
 Temperature:124.6Deg  
 Manufactory:MLED  
 Assessor:damin  
 System:LED300 + HAAS2000\_V1\_USB

Number:143KE9604  
 Date:2017-07-17 18-18  
 Humidity:35%  
 Remarks:

**Spectrum Test Report**



**Color Parameters:**

Chromaticity Coordinate:  $x=0.1186$   $y=0.0976$  /  $u'=0.1205$   $v'=0.2234$   $duv=1.316e-001$   
 Tc=100000K Dominant WL:Ld=475.1nm Purity=95.9%  
 Ratio:R=0.2% G=21.8% B=78.0% Peak WL:Lp=471.7nm HWL:20.9nm  
 Render Index:Ra=-44.6 CRI=-79.3  
 R1 =-19 R2 =-39 R3 =-115 R4 =-72 R5 =2 R6 =-49 R7 =-36  
 R8 =-29 R9 =-289 R10=-217 R11=-100 R12=-88 R13=-37 R14=-22 R15=-5

**Photo Parameters:**

Flux = 48.82 lm Eff. : 46.02 lm/W Fe = 728.2 mW

**Electrical parameters:**

VF = 3.033 V IF = 349.6 mA P = 1061 mW  
 IR = 0.0879 uA (VR = 5.004 V)  
 LEVEL:OUT WHITE:OUT

Status: T=20.00ms Ip=12139 (19%) [ HAAS2000\_V1\_USB ] V2.00.231

Model:2000K  
 Tester:Angel  
 Temperature:124.6Deg  
 Manufactory:MLED  
 Assessor:damin  
 System:LED300 + HAAS2000\_V1\_USB

Number:0000005  
 Date:2017-07-17 18-18  
 Humidity:35%  
 Remarks: